

### A125TB-NGA

#### Class 125

DN15~100



#### SPECIFICATION

SCREWED-IN BONNET · SOLID WEDGE DISC

NON-RISING STEM · INTEGRAL SEAT · ASBESTOS FREE

THREADED TO BS 21 (ISO 7) / ASME B1.20.1

SIZE RANGE 15mm (1/2") ~ 100mm (4")

#### PRESSURE / TEMPERATURE RATINGS

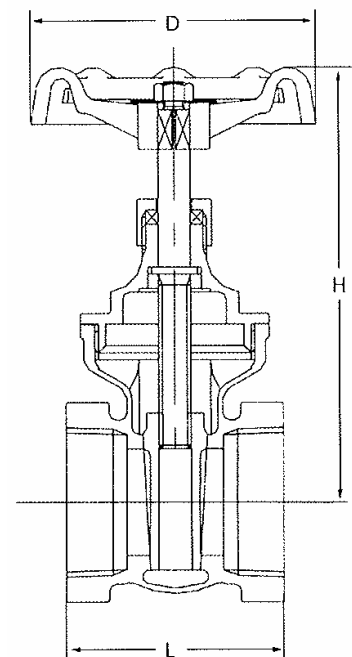
Working Pressure	200 psi (13.8 bar) WOG Non-Shock 125 psi (8.6 bar) Saturated Steam
Testing Pressure	Shell : 300 psi (20.7 bar) Hydrostatic Seat : 220 psi (15.1 bar) Hydrostatic 80 psi (5.5 bar) Air

#### MATERIALS

Part	Material	ASTM	BS
Body	Brass	B124 C37700	2874 CZ122
Bonnet	Brass	B124 C37700	2874 CZ122
Disc	Brass	B124 C37700	2874 CZ122
Stem	Brass Rod	B16 C36000	2874 CZ121
Packing	PTFE		
Packing Nut	Brass Rod	B16 C36000	2874 CZ121
Gland	Brass Rod	B16 C36000	2874 CZ121
Handwheel	Cast Iron	A48 No.35	1452 Gr.260

#### DIMENSIONS

Size		L		H		D	
mm	Inch	mm	Inch	mm	inch	mm	inch
15	1/2	43	1.7	76	3.0	53	2.1
20	3/4	50	2.0	87	3.4	57	2.2
25	1	53	2.1	100	4.0	72	2.8
32	1-1/4	62	2.4	119	4.7	78	3.1
40	1-1/2	64	2.5	135	5.3	78	3.1
50	2	72	2.8	152	6.0	97	3.8
65	2-1/2	89	3.5	187	7.4	108	4.3
80	3	101	4.0	215	8.5	126	5.0
100	4	116	4.6	245	9.6	178	7.0



#### Note:

1. Other materials and threaded standards are available upon request.
2. Design and specifications are subject to change without prior notice.